

Aluminum Capacitors

TAPING

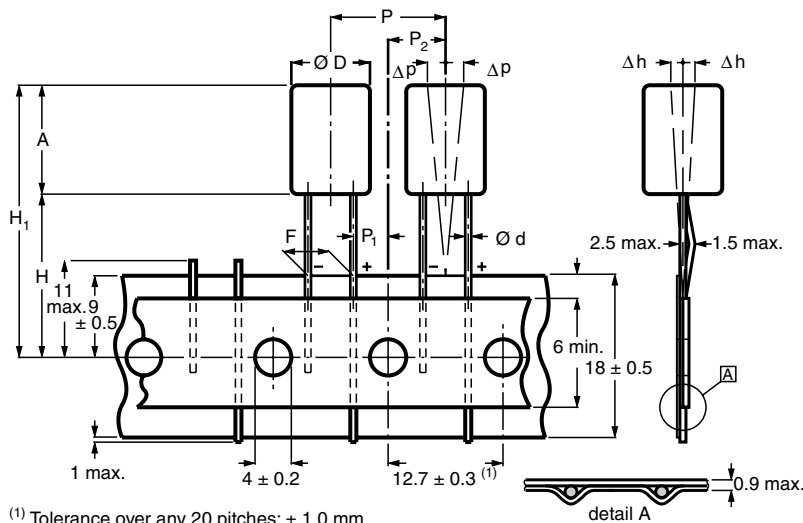
BCcomponents radial, aluminum and solid aluminum capacitors in sizes up to $\varnothing D = 16$ mm, are available in taped versions corresponding to "IEC 60286-2" or "JIS C 0805" respectively. They are most suitable for use on automatic insertion machines, mounting robots or cutting and forming equipment and are supplied in boxes (ammopacks).

CAUTION
Packages must be handled with care to avoid bent leads

The information contained within this part is valid for the following series:

- 013 RLC
- 036 RSP
- 116 RLL

For catalogue numbers, refer to the relevant detail specification in this data book.



(1) Tolerance over any 20 pitches: ± 1.0 mm

Fig.1 Form TNA and TFA, straight leads

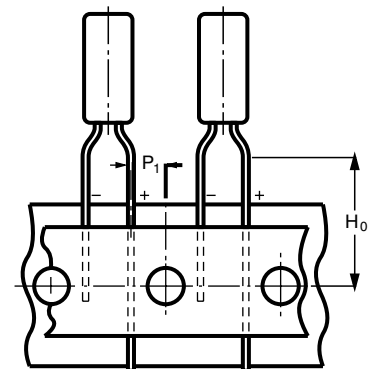


Fig.2 Form TFA, formed leads

Table 1

DIMENSIONS in millimeters				
PARAMETER	NOMINAL CASE SIZE ($\varnothing D \times L$)			TOLERANCE
	FORM TNA: F = 2.5		FORM TFA: F = 5	
	5 x 11 (straight leads)	5 x 11 (formed leads)	8.2 x 11 (straight leads)	
$\varnothing D$	5.5	5.5	8.7	max.
A	12	12	12	max.
$\varnothing d$	0.5	0.5	0.6	± 0.05
P	12.7	12.7	12.7	± 1.0
P_1	5.1	3.85	3.85	± 0.7
P_2	6.35	6.35	6.35	± 0.7
F	2.5	5.0	5.0	+ 0.6/- 0.1
Δh	0	0	0	± 2.0
Δp	0	0	0	± 1.3
H	18	18	18	+ 1.5/- 0
H_0	-	16	-	± 0.5
H_1	32	32	32	max.

Table 2

QUANTITIES PER PACKAGING UNIT					
NOMINAL CASE SIZE (\varnothing D x L) (mm)	CASE CODE	BULK PER BOX		TAPED AMMOPACK (1)	
		FORM CA	FORM CB	FORM TFA	FORM TNA
5 x 11	11	1000	1000	2000	2000
8.2 x 11	13	1000	1000	1000	1000

Note

(1) Ammopack taping (Form TFA) case \varnothing D x L = 8.2 x 11 mm. To ensure optimum straightness of the leads and correct position of the capacitors in the folding area of the zig-zag shaped tape, every 25 th capacitor is omitted.

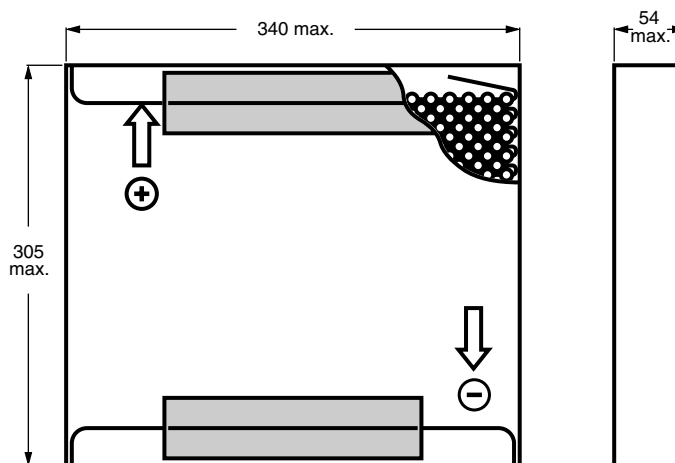
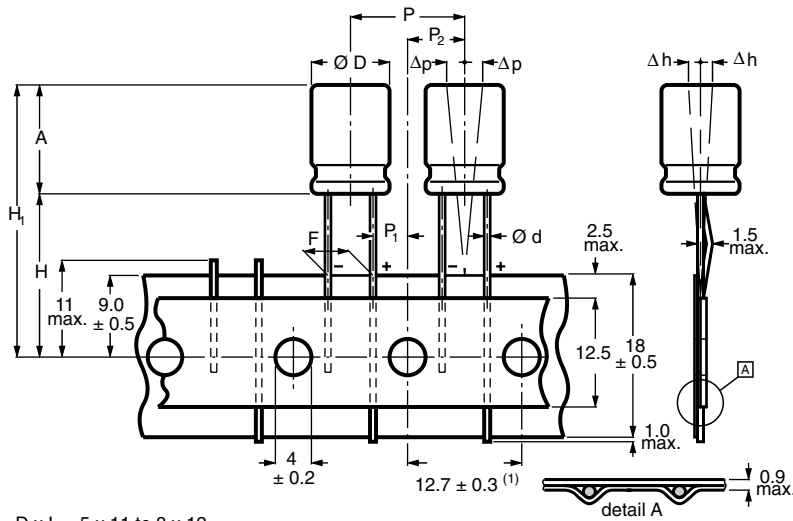


Fig.3 Ammopack; Forms TFA and TNA

The information contained within this part is valid for the following series with a case $\varnothing D = 4$ to 8 mm:

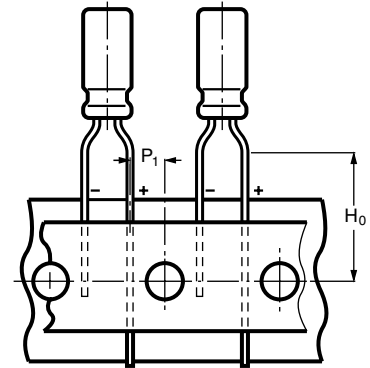
- 134 RLP 5
- 097 RLP 7
- 038 RSU
- 150 RMI



$D \times L = 5 \times 11$ to 8×12

(1) Tolerance over any 20 pitches: ± 1.0 mm

Fig.4 Form TNA, straight leads



$D \times L = 5 \times 11$ to 8×12

Fig.5 Form TFA, formed leads

Table 3

DIMENSIONS in millimeters									
PARAMETER	NOMINAL CASE SIZE ($\varnothing D \times L$) in mm								TOLERANCE
	FORM TNA				FORM TFA				
	5 x 11	6.3 x 11	8 x 12	8 x 15	5 x 11	6.3 x 11	8 x 12	8 x 15	
$\varnothing D$	5.5	6.8	8.5	8.5	5.5	6.8	8.5	8.5	max.
A	12.5	12.5	13.0	16.0	12.5	12.5	13.0	16.0	max.
$\varnothing d$	0.5	0.5	0.6	0.6	0.5	0.5	0.6	0.6	± 0.05
P	12.7	12.7	12.7	12.7	12.7	12.7	12.7	12.7	± 1.0
P_1	5.1	5.1	4.6	4.6	3.85	3.85	3.85	3.85	± 0.7
P_2	6.35	6.35	6.35	6.35	6.35	6.35	6.35	6.35	± 1.0
F	2.5	2.5	3.5	3.5	5.0	5.0	5.0	5.0	+ 0.8/- 0.2
Δh	0	0	0	0	0	0	0	0	± 2.0
Δp	0	0	0	0	0	0	0	0	± 1.3
H	18.5	18.5	18.5	18.5	18.5	18.5	20.0	20.0	± 0.75
H_0	-	-	-	-	16.0	16.0	16.0	16.0	± 0.5
H_1	32.2	32.2	32.2	35.2	32.2	32.2	33.7	36.7	max.

Packaging: Radial Aluminum Capacitors

Vishay BCcomponents

Aluminum Capacitors

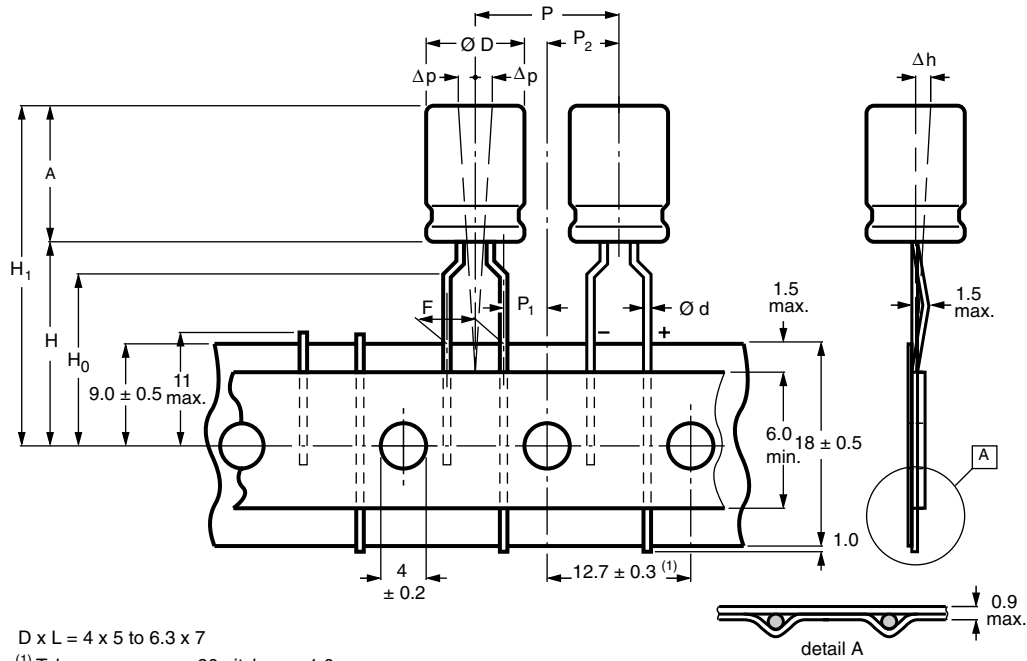


Fig.6 Form TFA and TNA

Table 4

DIMENSIONS in millimeters							
PARAMETER	NOMINAL CASE SIZE (Ø D x L)						TOLERANCE
	FORM TFA						
	4 x 5	5 x 5	6.3 x 5	4 x 7	5 x 7	6.3 x 7	
Ø D	4.5	5.5	6.8	4.5	5.5	6.8	max.
A	6.0	6.0	6.0	8.0	8.0	8.0	max.
Ø d	0.45	0.45	0.45	0.45	0.45	0.45	± 0.05
P	12.7	12.7	12.7	12.7	12.7	12.7	± 1.0
P ₁	3.85	3.85	3.85	3.85	3.85	3.85	± 0.7
P ₂	6.35	6.35	6.35	6.35	6.35	6.35	± 1.0
F	5.0	5.0	5.0	5.0	5.0	5.0	+ 0.8/- 0.2
Δh	0	0	0	0	0	0	± 2.0
Δp	0	0	0	0	0	0	± 1.3
H	17.5	17.5	17.5	17.5	17.5	17.5	± 0.75
H ₀	16	16	16	16	16	16	± 0.5
H ₁	32.2	32.2	32.2	32.2	32.2	32.2	max.

Table 5

DIMENSIONS in millimeters							
PARAMETER	NOMINAL CASE SIZE (Ø D x L)						TOLERANCE
	FORM TNA						
	4 x 5	5 x 5	6.3 x 5	4 x 7	5 x 7	6.3 x 7	
Ø D	4.5	5.5	6.8	4.5	5.5	6.8	max.
A	6.0	6.0	6.0	8.0	8.0	8.0	max.
Ø d	0.45	0.45	0.45	0.45	0.45	0.45	± 0.05
P	12.7	12.7	12.7	12.7	12.7	12.7	± 1.0
P ₁	5.1	5.1	5.1	5.1	5.1	5.1	± 0.7
P ₂	6.35	6.35	6.35	6.35	6.35	6.35	± 1.0
F	2.5	2.5	2.5	2.5	2.5	2.5	+ 0.8/- 0.2
Δh	0	0	0	0	0	0	± 2.0
Δp	0	0	0	0	0	0	± 1.3
H	17.5	18.5	18.5	17.5	18.5	18.5	± 0.75
H ₀	16	-	-	-	-	-	± 0.5
H ₁	32.2	32.2	32.2	32.2	32.2	32.2	max.

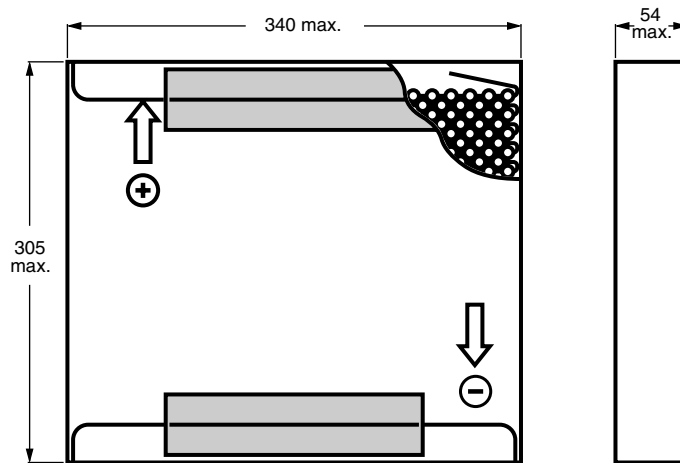


Fig.7 Ammopack; Form TFA and TNA

Packaging: Radial Aluminum Capacitors

Vishay BCcomponents

Aluminum Capacitors



The information contained in this part is valid for the following series with a case $\varnothing D = 10$ to 16 mm:

- 038 RSU
 - 048 RML
 - 136 RVI
 - 150 RMI
- 152 RMH
 - 140 RTM
 - 148 RUS

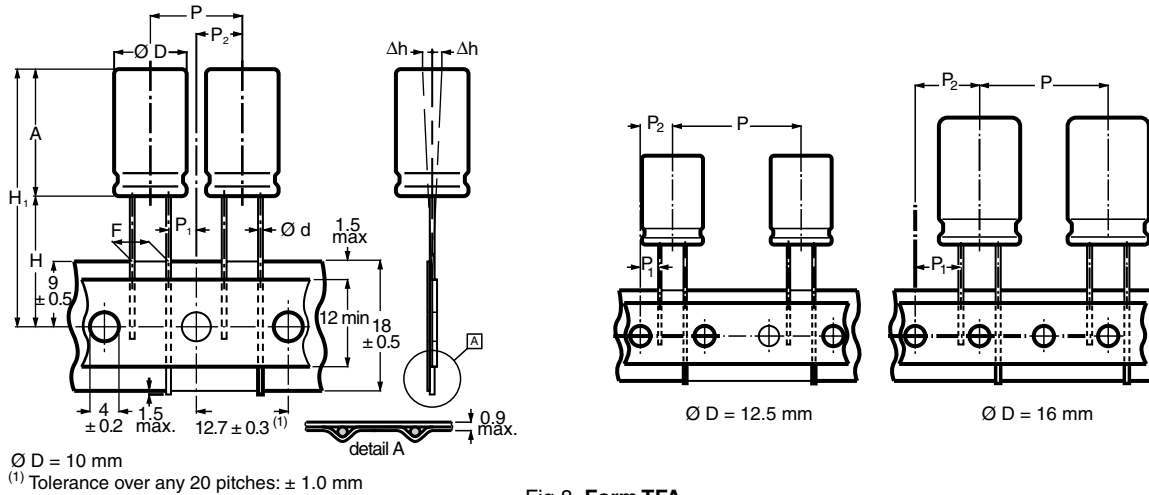


Fig.8 Form TFA

Table 6

DIMENSIONS in millimeters									
PARAMETER	NOMINAL CASE SIZE ($\varnothing D \times L$)								TOLERANCE
	10 x 12	10 x 16	10 x 20	12.5 x 20	12.5 x 25	16 x 20	16 x 25	16 x 31	
$\varnothing D$	10.5	10.5	10.5	13.0	13.0	16.5	16.5	16.5	max.
A	13.5	17.5	22	22	27	22	27	33.5	max.
$\varnothing d$	0.6	0.6	0.6	0.6	0.6	0.8	0.8	0.8	± 0.05
P	12.7	12.7	12.7	25.4	25.4	25.4	25.4	25.4	± 1.0
P_1	3.85	3.85	3.85	3.85	3.85	8.95	8.95	8.95	± 0.7
P_2	6.35	6.35	6.35	6.35	6.35	12.7	12.7	12.7	± 1.3
F	5.0	5.0	5.0	5.0	5.0	7.5	7.5	7.5	+ 0.8/- 0.2
Δh	0	0	0	0	0	0	0	0	± 3.0
H	18.5	18.5	18.5	18.5	18.5	18.5	18.5	18.5	± 0.75
H_1	$H_1 = H + A$								
B	54	62	62	62	68	68	68	75	max.

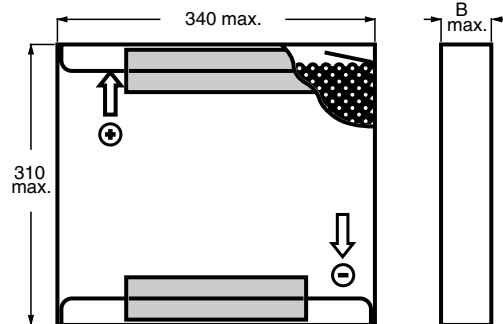


Fig.9 Ammpack; Form TFA

Note

(1) Ammpack taping (Form TFA). To ensure optimum straightness of the leads and correct position of the components in the folding area of the zig-zag shaped tape, where necessary, one capacitor is omitted at each folding edge.

The information contained within this part is valid for the following series:

- 128 SAL-RPM

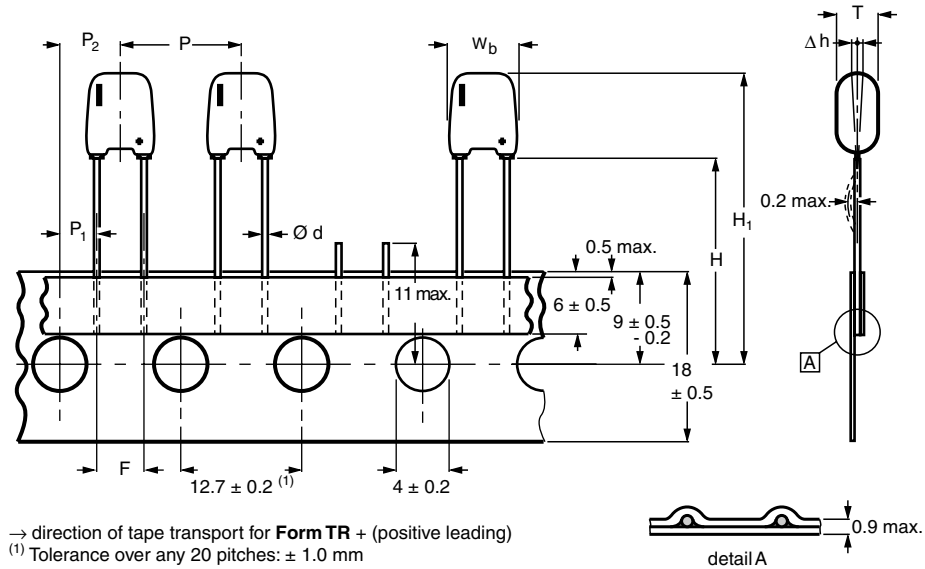


Fig.10 Capacitors on tape

Table 7

TAPING DIMENSIONS in millimeters							
PARAMETER	128 SAL-RPM MAX. HEIGHT 9.5 mm						TOLERANCE
	CASE CODE						
	10	20	30	40	50	60	
T	3.0	3.5	4.0	5.0	5.0	6.0	max.
W _b	7.0	7.0	7.0	7.0	8.0	8.0	max.
Ø d	0.6	0.6	0.6	0.6	0.6	0.6	+ 0.02/- 0
P	12.7	12.7	12.7	12.7	12.7	12.7	± 1.0
P ₁	3.85	3.85	3.85	3.85	3.85	3.85	± 0.7
P ₂	6.35	6.35	6.35	6.35	6.35	6.35	± 1.0
F	5.2	5.2	5.2	5.2	5.2	5.2	± 0.2
Δh	0	0	0	0	0	0	± 1.0
H	18.5	18.5	18.5	18.5	18.5	18.5	± 0.75
H ₁	28	28	28	28	28	28	max.

Packaging: Radial Aluminum Capacitors

Vishay BCcomponents

Aluminum Capacitors

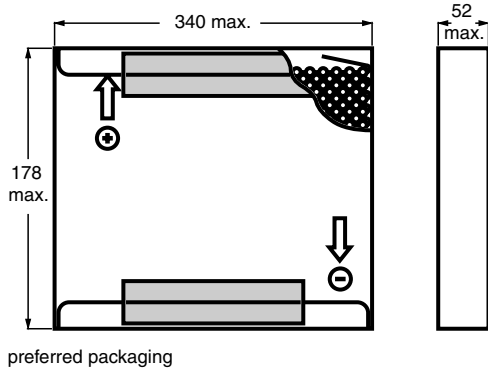


Fig.11 Ammopack; Form TFA

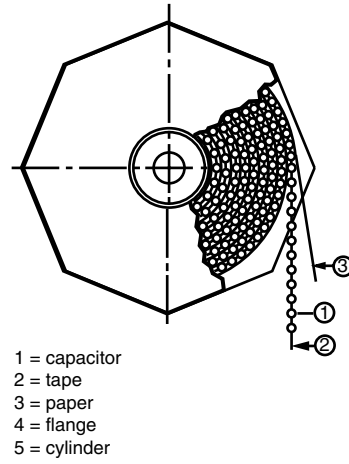


Fig.12 Reel; Form TR+

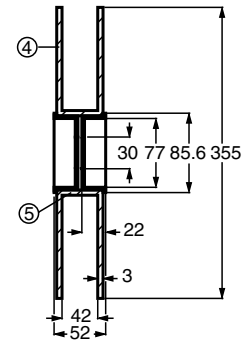


Table 8

QUANTITIES PER PACKAGING UNIT					
CASE SIZE $H_{max.} \times W_{max.} \times T_{max.}$ (mm)	CASE CODE	BULK PER BOX		TAPED PER REEL	TAPED PER BOX
		FORM CA	FORM CB	FORM TR+	FORM TFA
9.5 x 7.0 x 3.0	10	1000	1000	1000	1000
9.5 x 7.0 x 3.5	20	1000	1000	1000	1000
9.5 x 7.0 x 4.0	30	1000	1000	1000	1000
9.5 x 7.0 x 5.0	40	1000	1000	1000	1000
9.5 x 8.0 x 5.0	50	1000	1000	1000	1000
9.5 x 8.0 x 6.0	60	1000	1000	1000	1000